

**ΜΗΧΑΝΗΜΑΤΑ  
ΚΟΠΗΣ ΜΕΤΑΛΛΩΝ  
FIBER LASER**

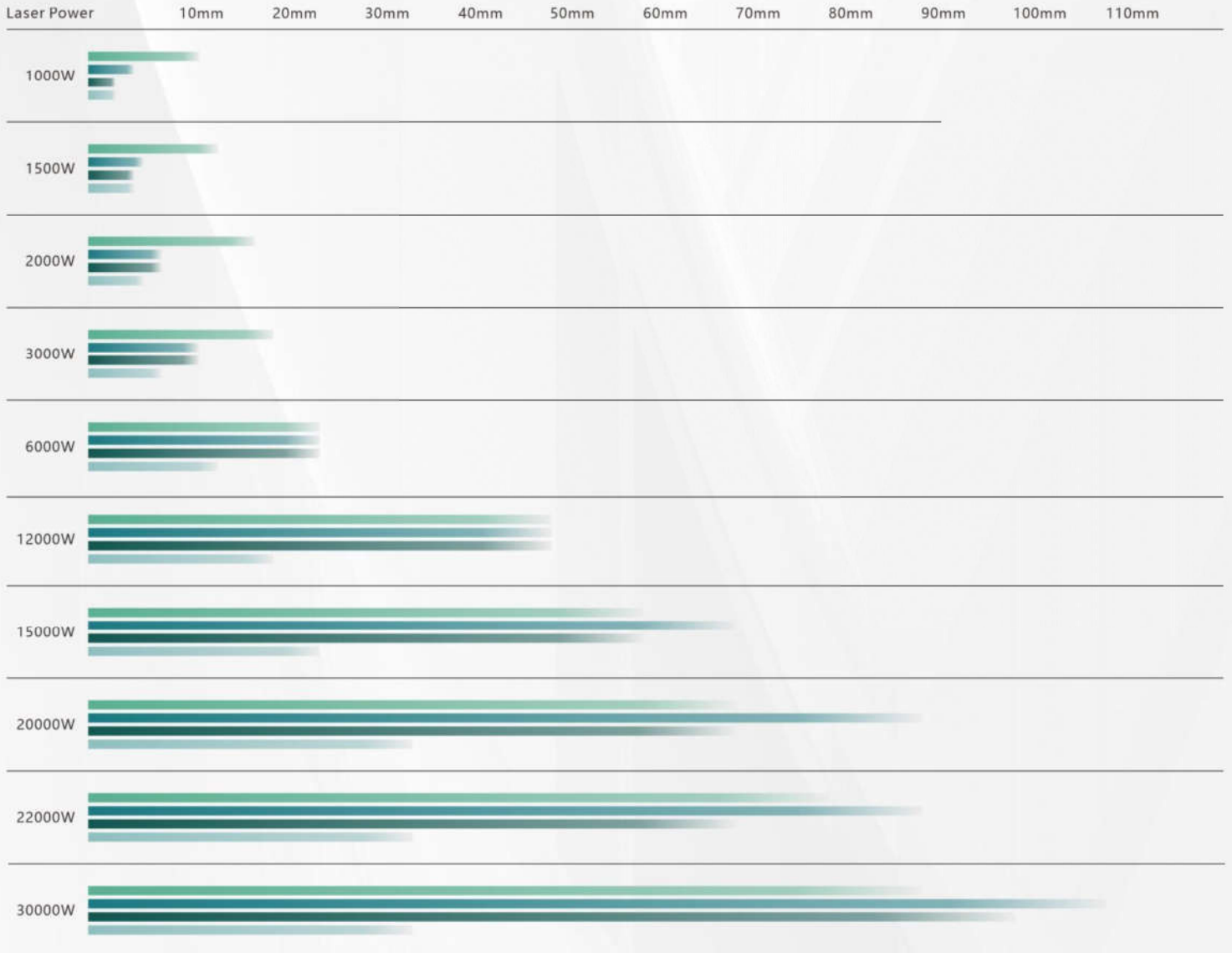
 **OREE  
LASER**

# ΠΙΝΑΚΑΣ ΕΠΙΛΟΓΗΣ ΠΑΧΟΥΣ (mm) ΚΟΠΗΣ ΜΕΤΑΛΛΟΥ ΒΑΣΗ ΕΓΚΑΤΕΣΤΗΜΕΝΗΣ ΙΣΧΥΟΣ (W)

Ενδεικτικά είδη μετάλλων:

Χάλυβας, Ανοξείδωτος χάλυβας, Αλουμίνιο, Χαλκός

## Cutting Capacity



# OR-H

Ultra Speed Fiber Laser Cutting Machine



## Technical Parameters

Model	OR-H3015	OR-H6025
Working Area	3050*1530mm	6050*2530mm
Power	3000w/6000w/10000w/12000w/15000w/20000w/30000w	
Positioning Accuracy	±0.03mm	
Repeated Positioning Accuracy	±0.02mm	
Max. Moving Speed	200m/min	

# OR-PG

High Power Fiber Laser Cutting Machine



## Technical Parameters

Model	OR-PG3015	OR-PG4020	OR-PG6015	OR-PG6020	OR-PG6025	OR-PG8025	OR-PG12025
Working Area	3050*1530mm	4050*2030mm	6050*1530mm	6050*2030mm	6050*2530mm	8050*2530mm	12150*2530mm
Power	6000w/10000w/15000w/20000w/30000w/40000w/60000w						
Positioning Accuracy	±0.03mm						
Repeated Positioning Accuracy	±0.02mm						
Max. Moving Speed	120m/min						

# OR-PH

Full Enclosed Fiber Laser Cutting Machine



## Technical Parameters

Model	OR-PH3015	OR-PH4020	OR-PH6015	OR-PH6020	OR-PH6025
Working Area	3050*1530mm	4050*2030mm	6050*1530mm	6050*2030mm	6050*2530mm
Power	1500w/2000w/3000w/6000w				
Positioning Accuracy	±0.03mm				
Repeated Positioning Accuracy	±0.02mm				
Max. Moving Speed	100m/min	120m/min	100m/min	120m/min	

# OR-EH

Exchange Platform Fiber Laser Cutting Machine



## Technical Parameters

Model	OR-EH3015	OR-EH4020	OR-EH6020
Working Area	3050*1530mm	4050*2030mm	6050*2030mm
Power	1500w/2000w/3000w/6000w		
Positioning Accuracy	±0.03mm		
Repeated Positioning Accuracy	±0.02mm		
Max. Moving Speed	100m/min	120m/min	

# OR-GR

Earth Orbit Laser Cutting Machine

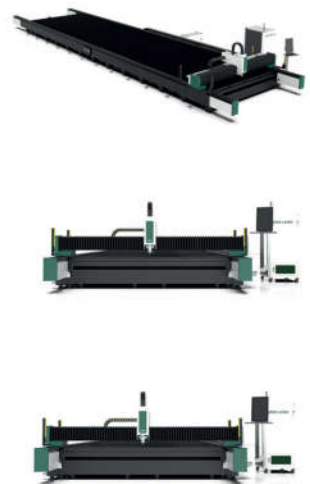
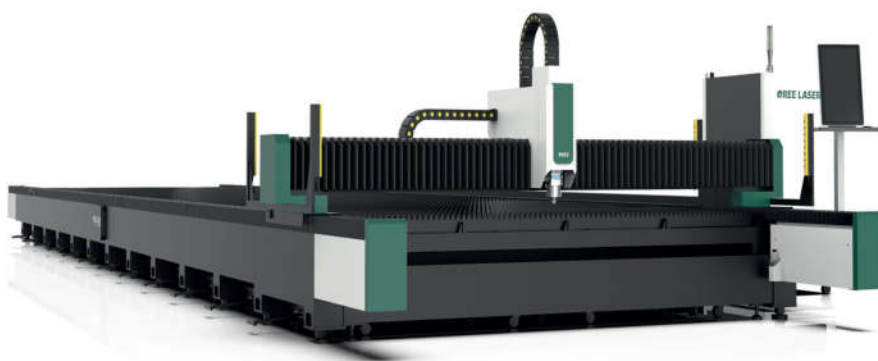


## Technical Parameters

Model	OR-GR12032	OR-GR13052
Working Area	12100*3250mm	13100*5250mm
Power	6000w/10000w/15000w/20000w/30000w	
Positioning Accuracy	±0.1mm	
Repeated Positioning Accuracy	±0.05mm	
Max. Moving Speed	80m/min	

# OR-G

Super Large-Format Metal Sheet Laser Cutting Machine



## Technical Parameters

Model	OR-G12025	OR-G14031
Working Area	12100*2550mm	14100*3100mm
Power	6000w/10000w/15000w/20000w	
Positioning Accuracy	±0.05mm	
Repeated Positioning Accuracy	±0.03mm	
Max. Moving Speed	100m/min	

# OR-FH

Flatbed Fiber Laser Cutting Machine



## Technical Parameters

Model	OR-FH3015	OR-FH4015	OR-FH4020	OR-FH6015	OR-FH6020	OR-FH6025	OR-FH8025
Working Area	3050*1530mm	4050*1530mm	4050*2030mm	6050*1530mm	6050*2030mm	6050*2530mm	8050*2530mm
Power	1500w/2000w/3000w/4000w/6000w/8000w/12000w						
Positioning Accuracy	±0.03mm						
Repeated Positioning Accuracy	±0.02mm						
Max. Moving Speed	100m/min	120m/min	100m/min	120m/min			

# OR-FM

Middle Sheet Fiber Laser Cutting Machine



## Technical Parameters

Model	OR-FM3015	OR-FM4015	OR-FM4020	OR-FM6015	OR-FM6020	OR-FM6025
Working Area	3050*1530mm	4050*1530mm	4050*2030mm	6050*1530mm	6050*2030mm	6050*2530mm
Power	1500w/2000w/3000w/6000					
Positioning Accuracy	±0.05mm					
Repeated Positioning Accuracy	±0.03mm					
Max. Moving Speed	80m/min					

# OR-R

Rolled Laser Cutting Production Line



## Technical Parameters

Model	OR-R3015	OR-R4015	OR-R6015
Working Area	3050*1530mm	4050*1530mm	6050*1530mm
Power	1000w/1500w/2000w/3000w		
Positioning Accuracy	±0.03mm		
Repeated Positioning Accuracy	±0.02mm		
Max. Moving Speed	80m/min		

# OR-PHT

Protective Closed Sheet & Tube Fiber Laser Cutting Machine



## Technical Parameters

Model	OR-PHT3015	OR-PHT4020	OR-PHT6015	OR-PHT6020	OR-PHT6025
Working Area	3050*1530mm	4050*2030mm	6050*1530mm	6050*2030mm	6050*2530mm
Power	1500w/2000w/3000w/6000w				
Effective Tube Cutting Length	3000/6200mm				
Effective Round Tube Cutting Diameter	Φ10-Φ225				
Effective Square Tube Cutting Diameter	□10-□225mm				
Max. Moving Speed	100m/min	120m/min	100m/min	120m/min	

# OR-EHT

Exchange Table Sheet & Tube Fiber Laser Cutting Machine

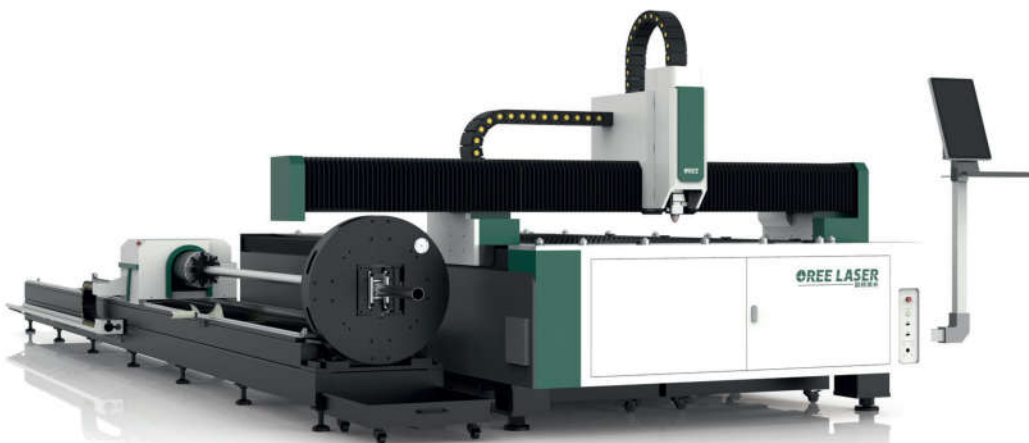


## Technical Parameters

Model	OR-EHT3015	OR-EHT4020	OR-EHT6020
Working Area	3050*1530mm	4050*2030mm	6050*2030mm
Power	1500w/2000w/3000w/6000w		
Effective Tube Cutting Length	3000/6200mm		
Effective Round Tube Cutting Diameter	Φ10-Φ225mm		
Effective Square Tube Cutting Diameter	□10- □225mm		
Max. Moving Speed	100m/min	120m/min	

# OR-FHT

Dual-use Sheet & Tube Fiber Laser Cutting Machine



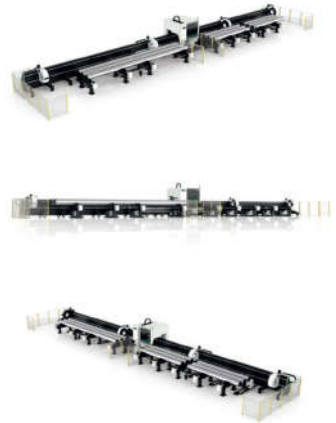
## Technical Parameters

Model	OR-FHT3015	OR-FHT4015	OR-FHT4020	OR-FHT6015	OR-FHT6020	OR-FHT6025	OR-FHT8025
Working Area	3050*1530mm	4050*1530mm	4050*2030mm	6050*1530mm	6050*2030mm	6050*2530mm	8050*2530mm
Power	1500w/2000w/3000w/4000w/6000w						
Effective Tube Cutting Length	3000/6200mm						
Effective Round Tube Cutting Diameter	Φ10-Φ225mm						
Effective Square Tube Cutting Diameter	□10- □225mm						
Max. Moving Speed	100m/min		120m/min	100m/min		120m/min	



# OR-TZ

Site Mounted Heavy Duty Lazer Pipe Cutting Machine



## Technical Parameters

Model	OR-TZ12050
Power	3000w/6000w/12000w
Effective Round Tube Cutting Diameter	Φ20-Φ500mm
Effective Square Tube Cutting Diameter	□ 20 - □ 350mm
Effective Tube Cutting Length	12500mm
Positioning Accuracy	±0.05mm
Repeated Positioning Accuracy	±0.05mm
Maximum chuck speed	50r/min

# OR-TE

Side Mounted Heavy Duty Lazer Pipe Cutting Machine



## Technical Parameters

Model	OR-TE12035
Power	3000w/6000w/12000w
Effective Round Tube Cutting Diameter	Φ10-Φ350mm
Effective Square Tube Cutting Diameter	□ 10 - □ 350mm
Effective Tube Cutting Length	12500mm
Positioning Accuracy	±0.05mm
Repeated Positioning Accuracy	±0.05mm
Maximum chuck speed	60r/min

## OR-TH

Side mounted high-efficiency laser pipe cutting machine



### Technical Parameters

Model	OR-TH6016	OR-TH6020
Power	1500w/2000w/3000w	
Effective Round Tube Cutting Diameter	Φ10-Φ1600mm	Φ10-Φ225mm
Effective Square Tube Cutting Diameter	□ 10 - □ 160mm	□ 10 - □ 225mm
Effective Tube Cutting Length	6300mm	6350mm
Positioning Accuracy	±0.1mm	
Repeated Positioning Accuracy	±0.1mm	
Maximum chuck speed	140r/min	120r/min

## OR-TR

Super heavy duty laser tube cutting machine



### Technical Parameters

Model	OR-TR6060	OR-TR12060	OR-TR12035
Power	3000w/6000w/12000w		
Effective Round Tube Cutting Diameter	Φ20-Φ590mm	Φ20-Φ590mm	Φ20-Φ350mm
Effective Square Tube Cutting Diameter	□ 20 - □ 400	□ 20 - □ 400mm	□ 20 - □ 350mm
Effective Tube Cutting Length	6300mm	12300mm	
Positioning Accuracy	±0.1mm		
Repeated Positioning Accuracy	±0.1mm		
Maximum chuck speed	30r/min		80r/min

# OR-TS

## Three-Chuck Tube Fiber Laser Cutting Machine



### Technical Parameters

Model	OR-TS6020	OR-TS12020	OR-TS12035
Power	1500w/2000w/3000w/6000w		
Effective Round Tube Cutting Diameter	Φ15-Φ230mm	Φ15-Φ230mm	Φ15-Φ350mm
Effective Square Tube Cutting Diameter	□ 15 - □ 230mm	□ 15 - □ 230mm	□ 15 - □ 350mm
Effective Tube Cutting Length	6500mm	12500mm	
Positioning Accuracy	±0.05mm		
Repeated Positioning Accuracy	±0.05mm		
Maximum chuck speed	120r/min		80r/min

# OR-TA

## High Precision Tube Fiber Laser Cutting Machine



### Technical Parameters

Model	OR-TA6020	OR-TA6035	OR-TA9035	OR-TA12020	OR-TA12035
Power	1500w/2000w/3000w/6000w				
Effective Round Tube Cutting Diameter	Φ15-Φ230mm	Φ15-Φ350mm	Φ15-Φ350mm	Φ15-Φ230mm	Φ15-Φ350mm
Effective Square Tube Cutting Diameter	□ 15 - □ 230mm	□ 15 - □ 350mm	□ 15 - □ 350mm	□ 15 - □ 230mm	□ 15 - □ 350mm
Effective Tube Cutting Length	6300mm	6250mm	9250mm	12300mm	12250mm
Positioning Accuracy	±0.05mm				
Repeated Positioning Accuracy	±0.05mm				
Maximum chuck speed	120r/min	80r/min		120r/min	80r/min

# OR-TG

High Precision Tube Fiber Laser Cutting Machine



## Technical Parameters

Model	OR-TG6020	OR-TG6035	OR-TG7035	OR-TG9035
Power	1500w/2000w/3000w/6000w			
Effective Round Tube Cutting Diameter	Φ15-Φ230mm	Φ15-Φ350mm	Φ15-Φ350mm	Φ15-Φ350mm
Effective Square Tube Cutting Diameter	□ 15 - □ 230mm	□ 15 - □ 350mm	□ 15 - □ 350mm	□ 15 - □ 350mm
Effective Tube Cutting Length	6300mm	6250mm	7250mm	9250mm
Positioning Accuracy	±0.05mm			
Repeated Positioning Accuracy	±0.05mm			
Maximum chuck speed	120r/min	80r/min		

# OR-TL

Economical Fiber Laser Tube Cutting Machine



## Technical Parameters

Model	OR-TL6016	OR-TL6020	OR-TL6035
Power	1500w/2000w/3000w		
Effective Round Tube Cutting Diameter	Φ10-Φ160mm	Φ10-Φ230mm	Φ15-Φ350mm
Effective Square Tube Cutting Diameter	□ 10 - □ 160mm	□ 10 - □ 230mm	□ 15 - □ 350mm
Effective Tube Cutting Length	6400mm	6300mm	6400mm
Positioning Accuracy	±0.1mm		
Repeated Positioning Accuracy	±0.1mm		
Maximum chuck speed	140r/min	120r/min	140r/min

# OR-TM

Side-mounted high-efficiency laser pipe cutting machine



## Technical Parameters

Model	OR-TM90	OR-TM160
Power	1500w/2000w/3000w	
Effective Round Tube Cutting Diameter	Φ15-Φ90mm	Φ30-Φ120mm
Effective Square Tube Cutting Diameter	□ 10 - □ 60mm	□ 20 - □ 84mm
Effective Tube Cutting Length	6000mm/9000mm/12000	
Positioning Accuracy	±0.1mm	
Repeated Positioning Accuracy	±0.1mm	
Maximum chuck speed	180r/min	

# OR-S

High Precision Fiber Laser Cutting Machine

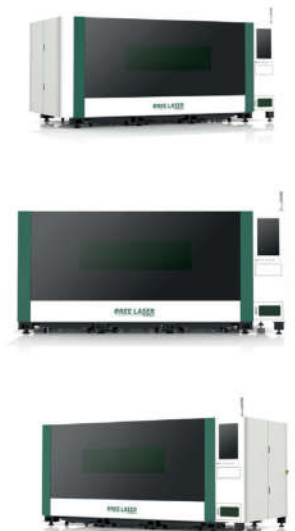


**Technical Parameters**

Model	OR-S1309	OR-S1313	OR-S1325	OR-S1510
Power	1500w/2000w/3000w/6000w			
Working Area	1330*950	1330*1350	2560*1330	1530*1050
Positioning Accuracy	±0.02mm			
Repeated Positioning Accuracy	±0.02mm			
Max. Moving Speed	60m/min		80m/min	60m/min

# OR-S

High Precision Fiber Laser Cutting Machine



**Technical Parameters**

Model	OR-S1530
Power	1500w/2000w/3000w/6000w
Working Area	3060*1530mm
Positioning Accuracy	±0.03mm
Repeated Positioning Accuracy	±0.02mm
Max. Moving Speed	80m/min

# OR- HW

Hand Held Laser Welding Machine



## Technical Parameters

Model	OR-HW
Power	1000w/1500w/2000w/3000w
Laser Wavelength	1064±10nm
Operating Mode	Continuous / Modulation
Recommended Material Thickness	0.5-6mm
Seams Requirements	≤0.5 m/min

# OR-LC

Hand Held Laser Cleaning Machine

## Technical Parameters

Model	OR-LC1000	OR-LC1500	OR-LC2000	OR-LC3000
Power	1000w	1500w	2000w	3000w
Laser Wavelength	1064±10nm			
Cleaning Speed	5-20m <sup>2</sup> /h	8-40m <sup>2</sup> /h	10-60m <sup>2</sup> /h	20-80m <sup>2</sup> /h
Focus Focal Length	D20 F400m/D20 F800mm			
Collimated Focal Length	D20*3.5 F50min			

## Ο ΚΑΤΑΣΚΕΥΑΣΤΙΚΟΣ ΟΙΚΟΣ **OREE LASER** ΣΕ ΑΡΙΘΜΟΥΣ

- ▶ πάνω από 1.000 καταρτισμένοι εργαζόμενοι
- ▶ περισσότεροι από 120 εξειδικευμένοι τεχνικοί στην ομάδα R&D
- ▶ άνω των 15 ετών εμπειρία στον χώρο της τεχνολογίας laser
- ▶ 200 άτομα διαθέσιμα για άμεση εξυπηρέτηση πελατών
- ▶ 24ωρο after sales service, γρήγορες online και offline τεχνικές υπηρεσίες σε 12 γλώσσες
- ▶ 66.000 m<sup>2</sup> χώροι παραγωγής
- ▶ 4.000 m<sup>2</sup> πρότυπες εργοστασιακές εγκαταστάσεις
- ▶ 6.000 m<sup>2</sup> «έξυπνο» κτίριο γραφείων
- ▶ 30 και πλέον πατέντες καινοτόμων εφαρμογών και σχεδιασμού πρωτοποριακής εμφάνισης
- ▶ εξαγωγές σε 150 χώρες και πάνω από 30 αντιπροσωπίες ανά τον κόσμο
- ▶ κάτοχος διεθνών πιστοποιητικών ISO9001, RoHS, CE και FDA

### ΥΠΗΡΕΣΙΕΣ ΠΟΥ ΠΑΡΕΧΕΙ Η

- ▶ Επίσκεψη στο χώρο σας και συμβουλευτική υποστήριξη στην επιλογή του κατάλληλου μηχανήματος
- ▶ Προμήθεια μηχανήματος κοπής fiber laser διαφόρων τύπων
- ▶ Εγκατάσταση και παράδοση σε πλήρη λειτουργία στο χώρο σας
- ▶ Εκπαίδευση προσωπικού
- ▶ After sales service
- ▶ Παρακαταθήκη ανταλλακτικών & αναλωσίμων
- ▶ Software κοπής, nesting κλπ.

Η εταιρεία είναι ο αποκλειστικός αντιπρόσωπος του οίκου **OREE LASER**



ΣΗΤΕΙΑΣ 4, 144 51 ΜΕΤΑΜΟΡΦΩΣΗ - ΑΘΗΝΑ  
Τηλ. 210 2828 080 - 210 2850 573  
[www.brosal.gr](http://www.brosal.gr) • [info@brosal.gr](mailto:info@brosal.gr)  
[www.kaffe.gr](http://www.kaffe.gr) • [info@kaffe.gr](mailto:info@kaffe.gr)

ΜΕΛΟΣ ΤΟΥ ΟΜΙΛΟΥ

